



BARCO SERIES E-75 RS

Water Service Rotary Union

Features & Benefits :

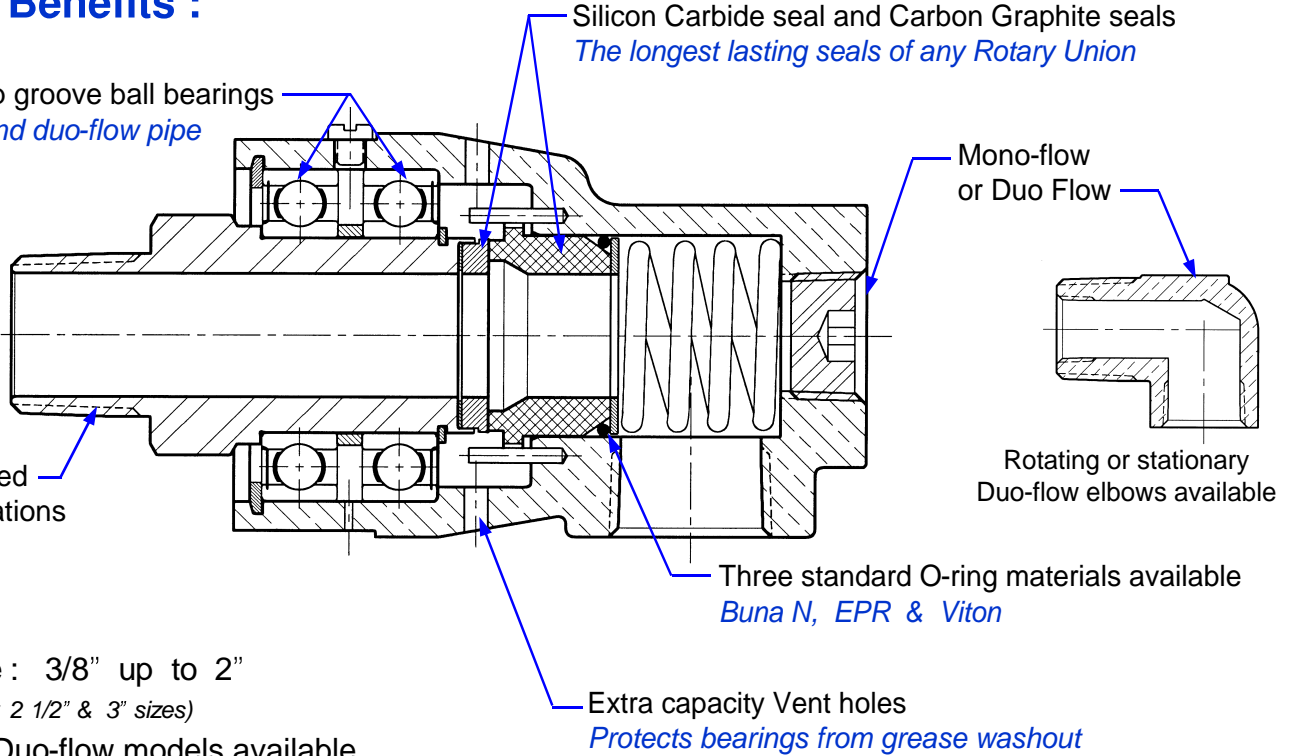
2 over-sized deep groove ball bearings
Supports seals and duo-flow pipe

Threads or Flanged
to fit most applications

7 sizes available : 3/8" up to 2"
(see separate flyer for 2 1/2" & 3" sizes)

Mono-flow and Duo-flow models available

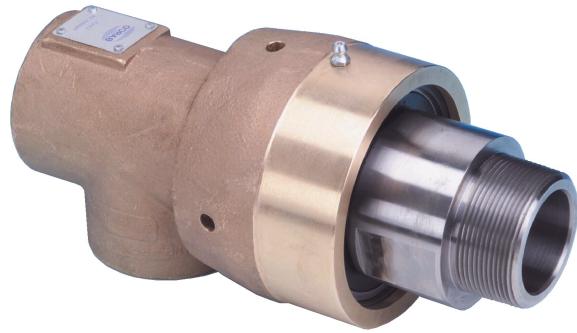
Silicon Carbide seal and Carbon Graphite seals
The longest lasting seals of any Rotary Union



7 sizes available : 3/8" up to 2"
(see separate flyer for 2 1/2" & 3" sizes)

Mono-flow and Duo-flow models available

Extra capacity Vent holes
Protects bearings from grease washout



Operating Parameters :

Pressure 150 PSI Max.

Speed to 3500 RPM

Temperature	225°F	-01	Buna N seal
	350°F	-04	EPR
	350°F	-06	Viton

Barco ToughGuy Performance Challenge -

Contact Fulton Systems for more details.

Additional Benefits :

Dry run capable

3 year printing press warranty

Easily repairable with an inexpensive kit

Exact interchange to most competitive unions

Applications below 180°F are lubed for life

Lowest cost water service union available

Most models shipped the same day or Next day

Applications :

Heating and cooling rolls including :

Web off set printing

Rubber Mills, Mixers and Calendars

Plastic extruders and Calendars

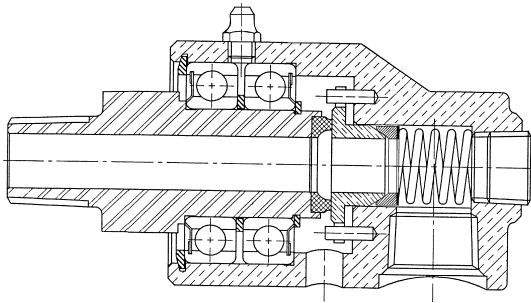
Guaranteed to outlast any Rotary Union !



5875 Peachtree Industrial Blvd.
Suite 330
Norcross, GA 30092
Ph: 770-447-1400
Fx: 770-447-4277

Engineered for Exceptional Performance

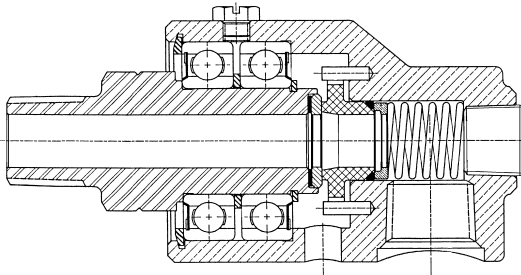
Rotary Union Comparisons



Deublin 55 :

Carbon graphite to bronze seals, Teflon sealing wedge. Soft materials easily damaged by water contamination.

Optional seal materials more expensive.

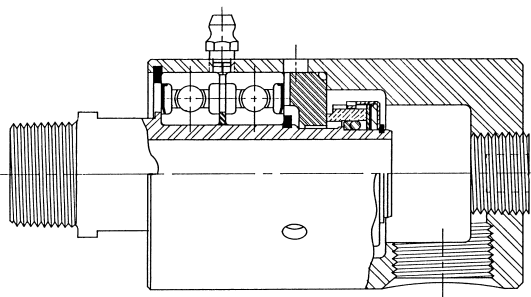


Deublin 57 :

Carbon graphite to silicon carbide seals. O-ring secondary seal.

Limited dry running capabilities.

2 year printing press warranty.



Duff Norton 5000 Series :

Smaller bearings give shorter life.

Carbon graphite to ceramic coated seals. Softer ceramic has shorter life. Thin coating can wear through. Medium resistance to contamination.

Small vents, restrictive flow area.

Expensive "cartridge" design includes shaft, bearings and seals.

Fulton
SYSTEMS

Fulton Systems
5875 Peachtree Industrial Blvd.
Suite 330
Norcross, GA 30092
Ph: 770-447-1400
Fx: 770-447-4277
www.fultonsystems.com

Barco USA
1100 Alexander Court
Cary, IL 60013-1892
Phone: (847) 516-0900
Fax: (847) 516-5590



A DIVISION OF MARISON INDUSTRIES